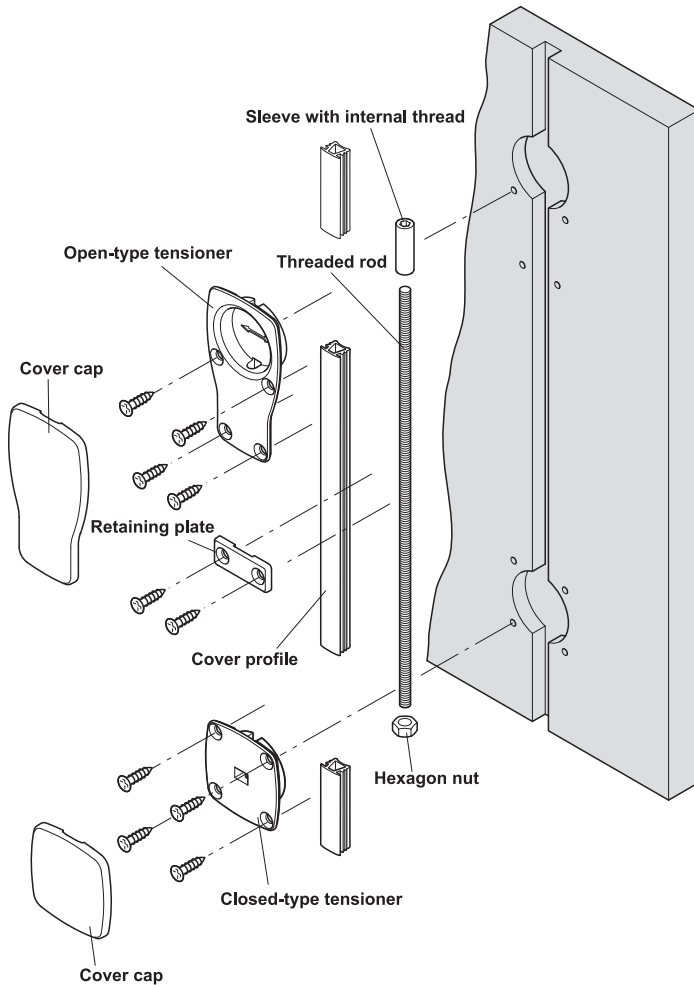


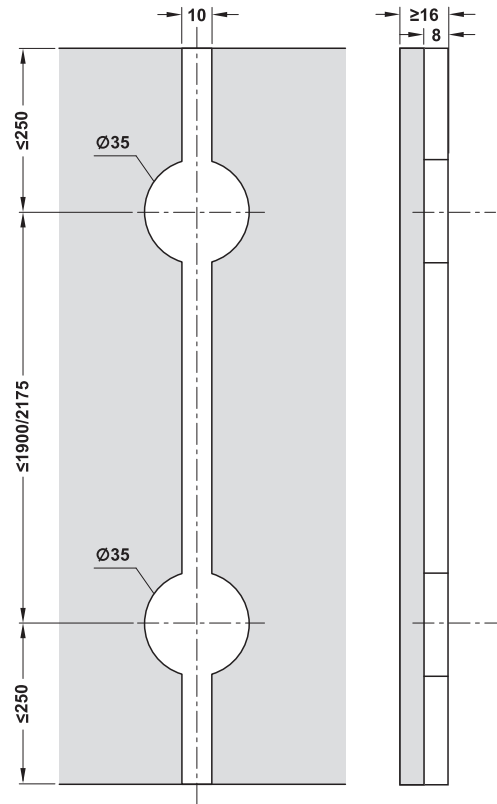
## Accessories

For sliding door fittings for wooden doors

### Installation



### Drilling pattern



8

- **Area of application:** Prevents doors warping in either direction or straightens doors which have become warped
- **Door height:** max. 2,400 mm or 2,650 mm
- **Door thickness:** min. 16 mm
- **Material:** Threaded rod: Steel, tensioner: Zinc alloy, cover profile, cover caps and retaining plate: Plastic
- **Finish/colour:** Threaded rod: Galvanized, tensioner: Bright, cover profile, cover caps and retaining plate: Black
- **Installation:** Can also be retrofitted for doors which have become warped, 2 straightening fittings recommended per door

#### Note

Not suitable for hardwood!

## → Set, small pack

### Supplied with

- Planofit Straightening fitting (1 set)
- 1 Threaded rod
- 1 Cover profile
- 2 Tensioners
- 1 Sleeve with internal thread
- 1 Hexagon nut
- 2 Cover caps (for open-type tensioner and closed-type tensioner)
- 4 Retaining plates, plastic
- 1 Set of installation instructions

Door height mm	Threaded rod length mm	Cover profile length mm	Cat. No.
max. 2,400	1,878	1,828	407.90.300
max. 2,650	2,153	2,103	407.90.301

Packing: 2 sets

## → Set, big pack

### Supplied with

- Planofit Straightening fitting (1 set)
- 1 Threaded rod
- 1 Cover profile
- 2 Tensioners
- 1 Sleeve with internal thread
- 1 Hexagon nut
- 1 Set of installation instructions

Door height mm	Threaded rod length mm	Cover profile length mm	Cat. No.
max. 2,400	1,878	1,828	407.90.320
max. 2,650	2,153	2,103	407.90.321

Packing: 50 sets

### Order reference

- Please order additionally the following individual components for each set:
- 2 Cover caps (for open-type tensioner and closed-type tensioner)
  - 4 Retaining plates, plastic



## Cover cap



For open-type tensioner    For closed-type tensioner

- Area of application: For covering the tensioners (open-type and closed-type)
- Material: Plastic
- Colour: Black
- Installation: For clipping onto tensioners (open-type and closed-type)

Version	Cat. No.
For open-type tensioner	407.90.340
For closed-type tensioner	407.90.341

Packing: 1 or 50 pieces

## Retaining plate



- Area of application: For fixing the threaded rod with cover profile
- Material: Plastic
- Colour: Black
- Installation: For screw fixing

Retaining plate	Cat. No.
	407.90.350

Packing: 1 or 200 pieces